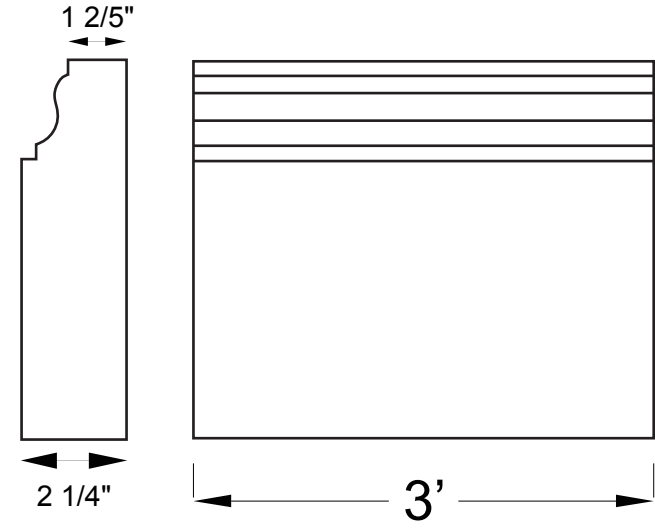
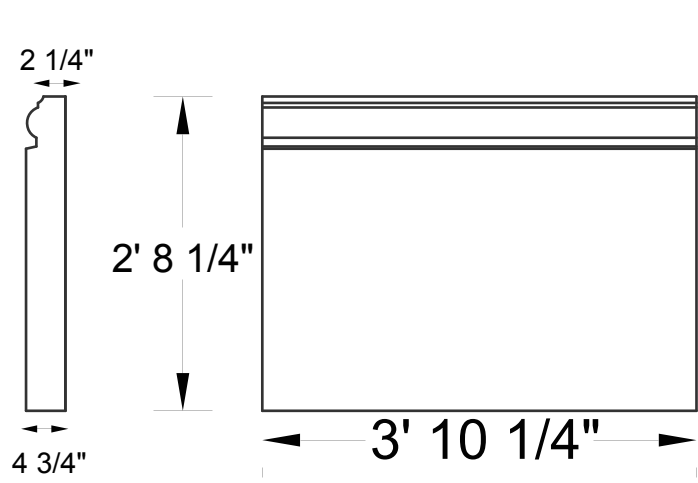
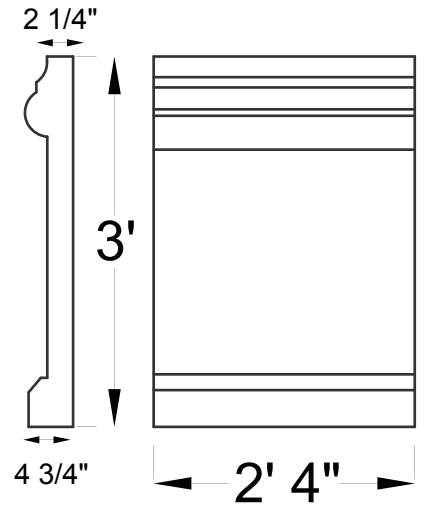


Wainscot Panels – 1



WS-02

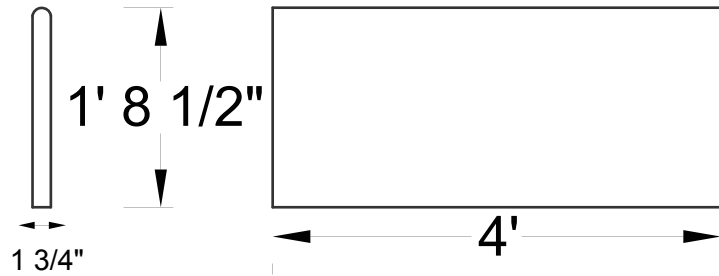


WS-03

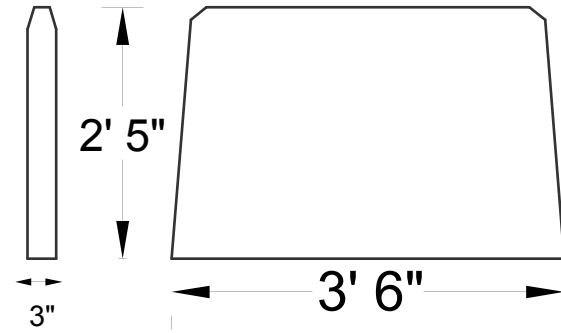


WS-04

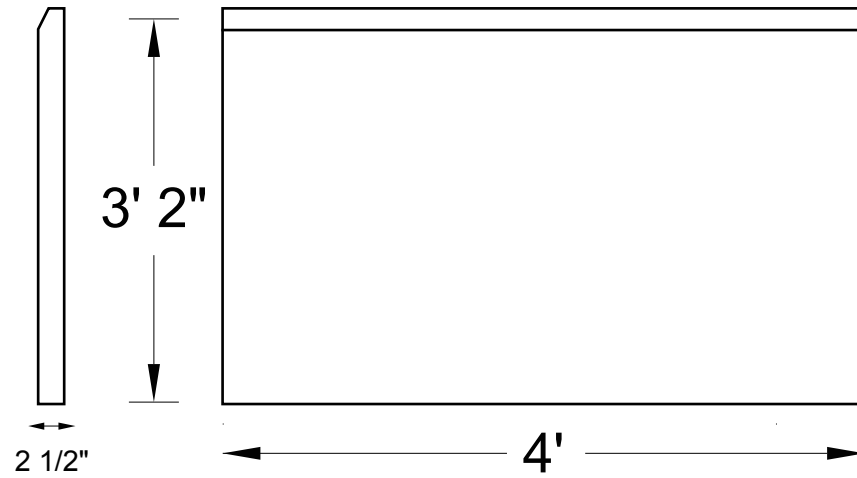
Wainscot Panels – 2



WS-05



WS-06



WS-07