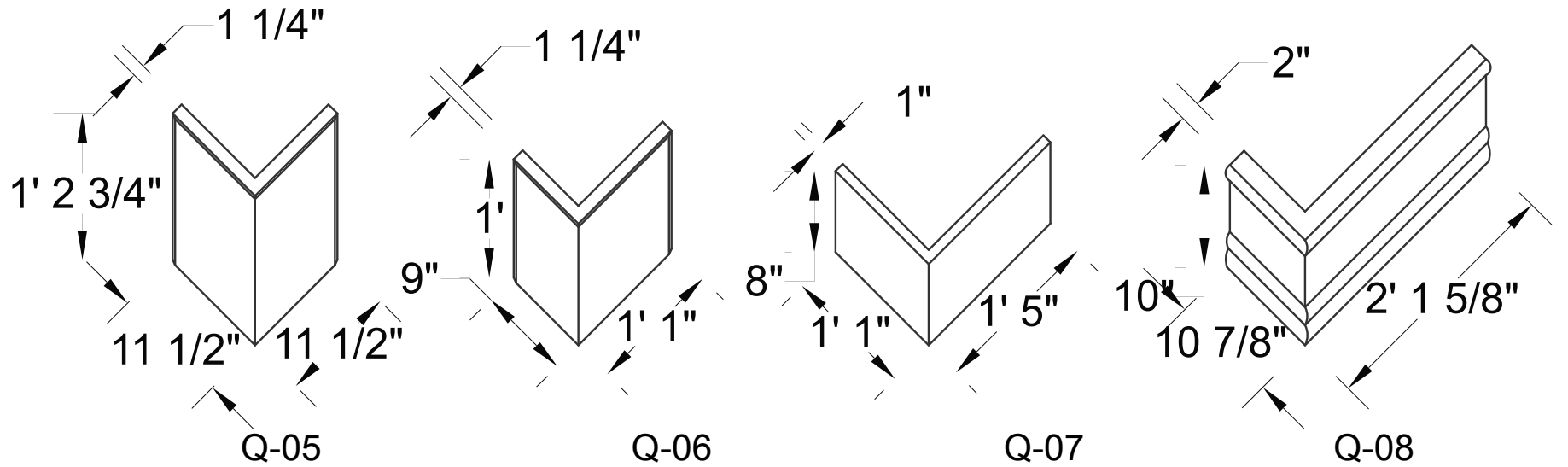
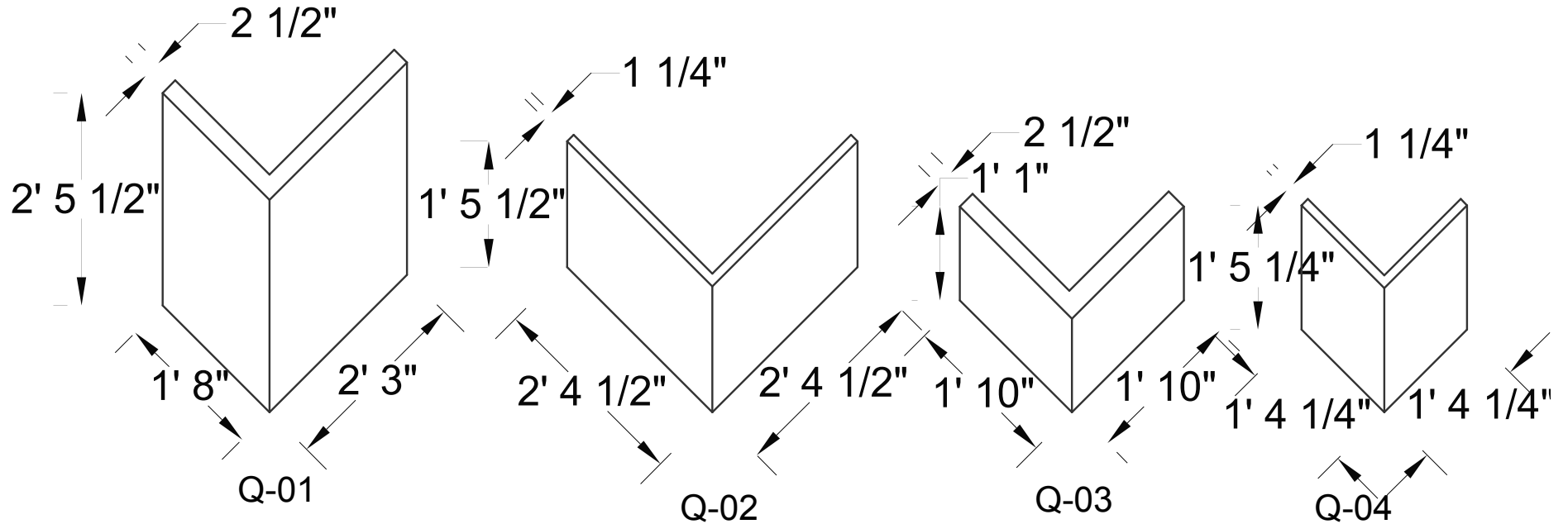
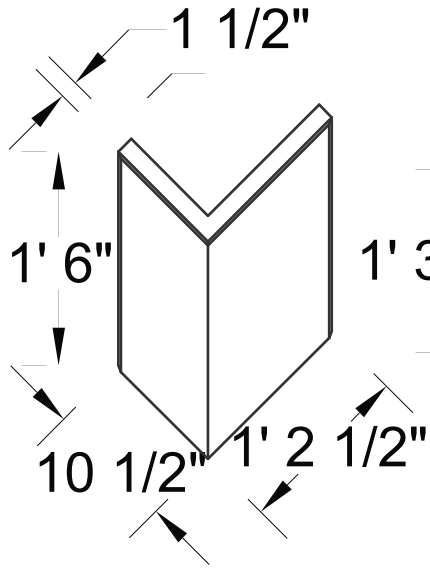


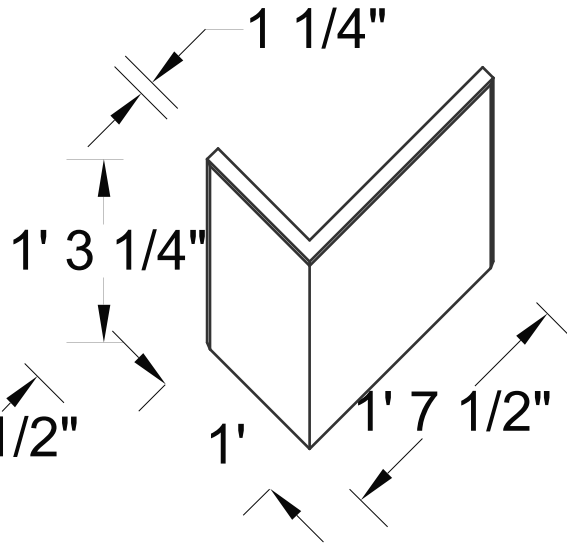
Quoins – 1



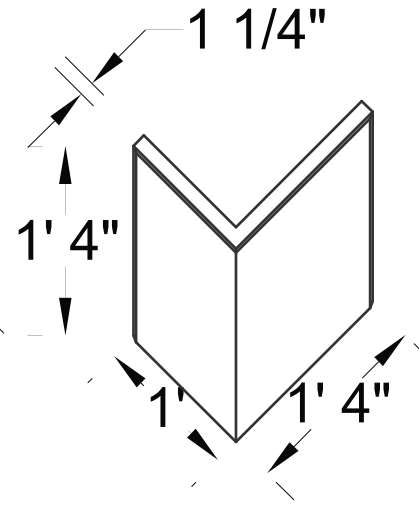
Quoins – 2



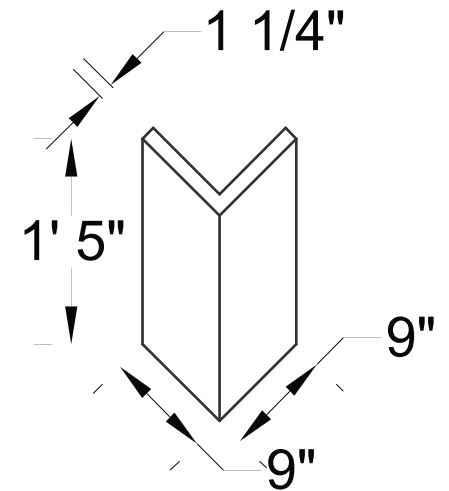
Q-09



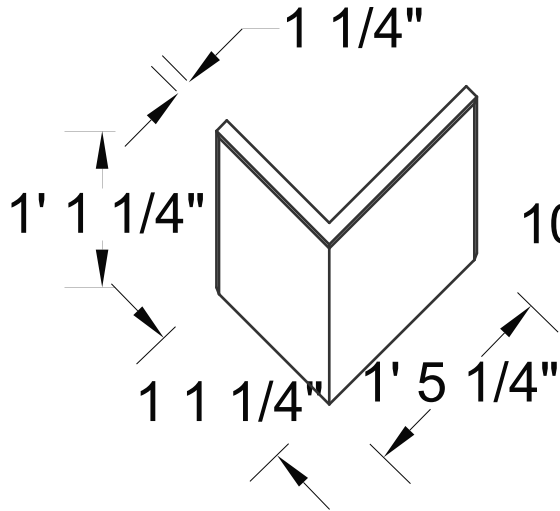
Q-10



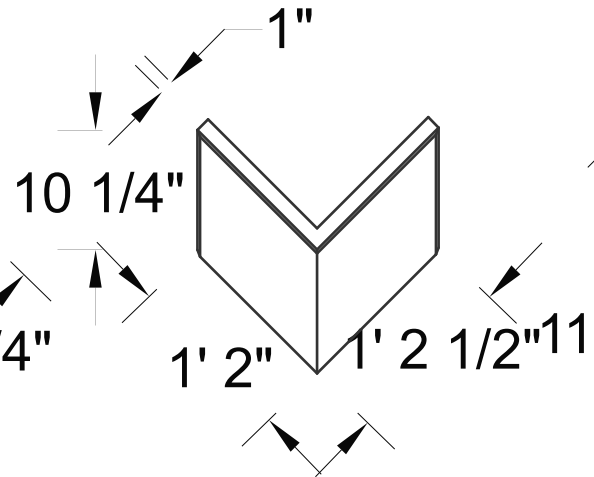
Q-11



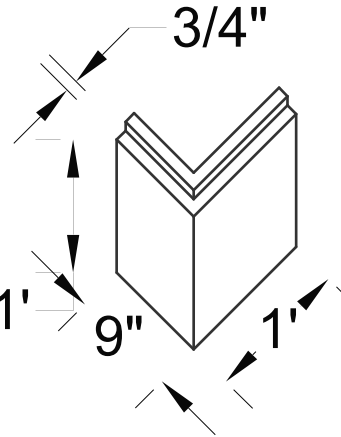
Q-12



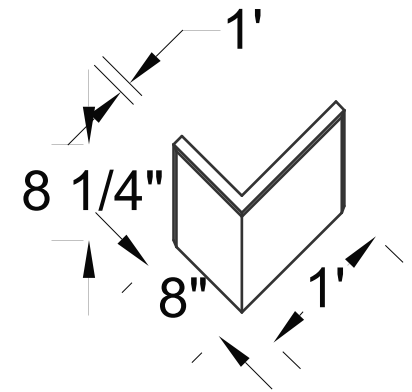
Q-13



Q-14



Q-15



Q-16