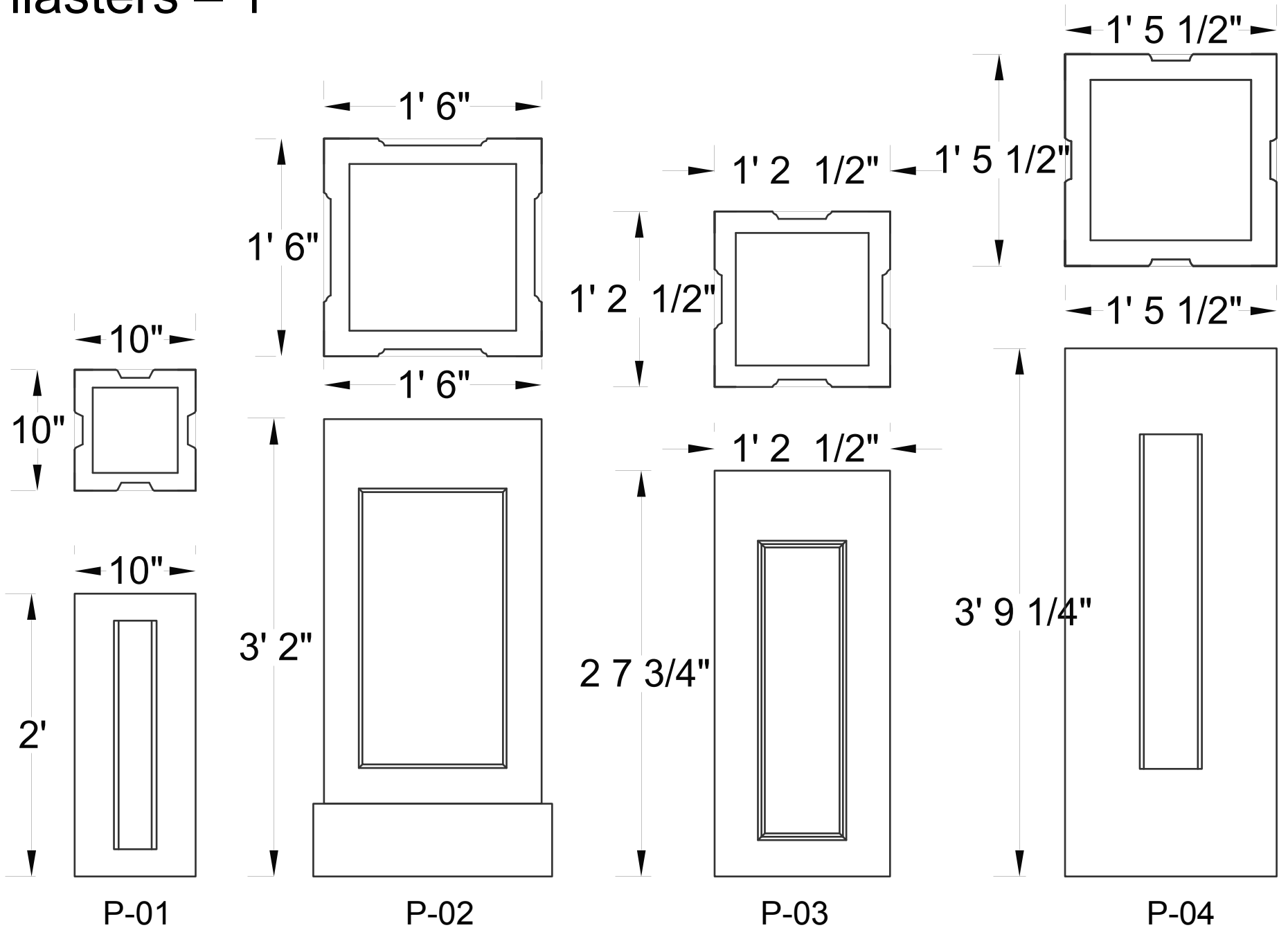
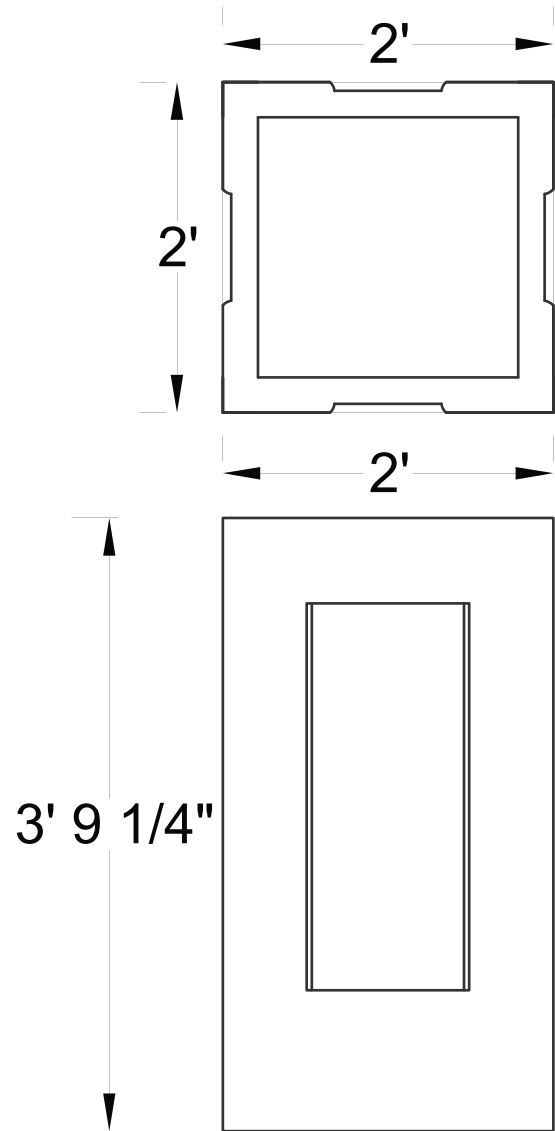


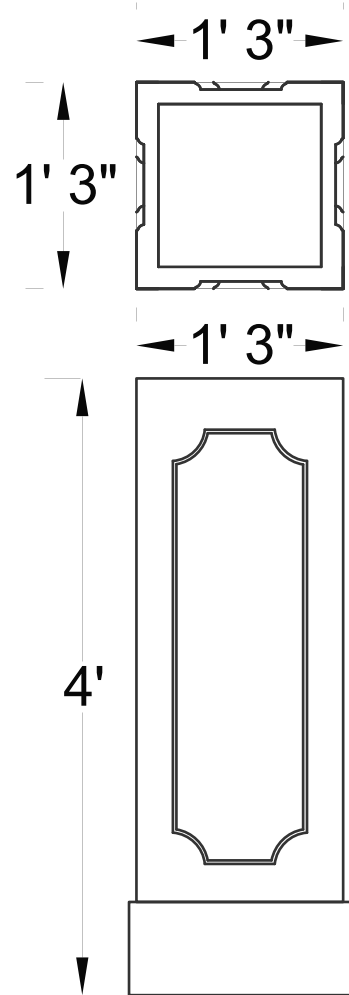
Pilasters – 1



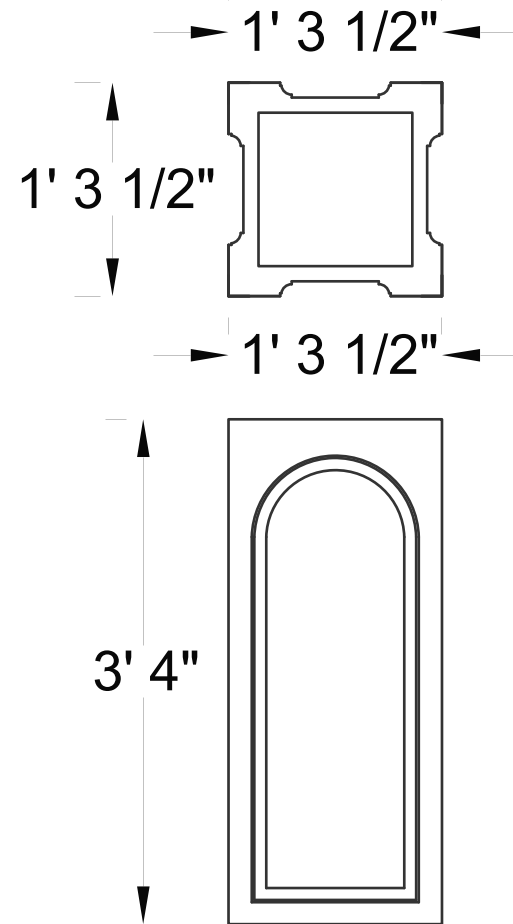
Pilasters – 2



P-05

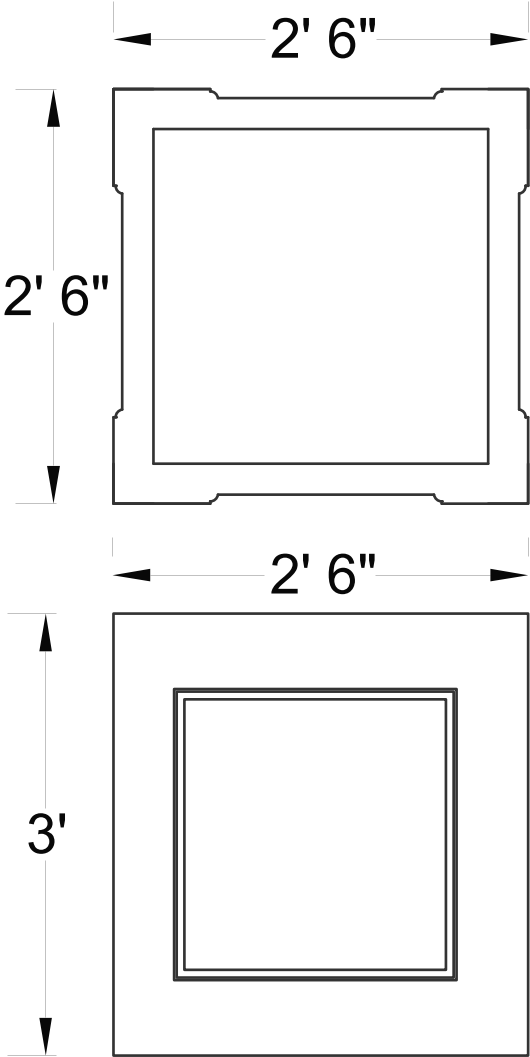


P-06

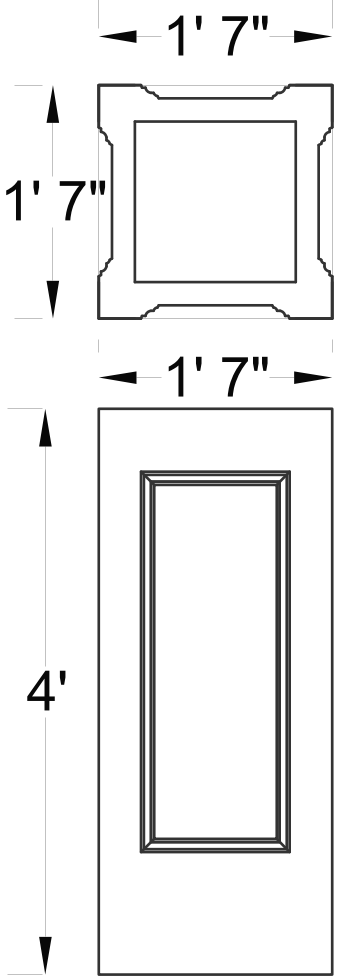


P-07

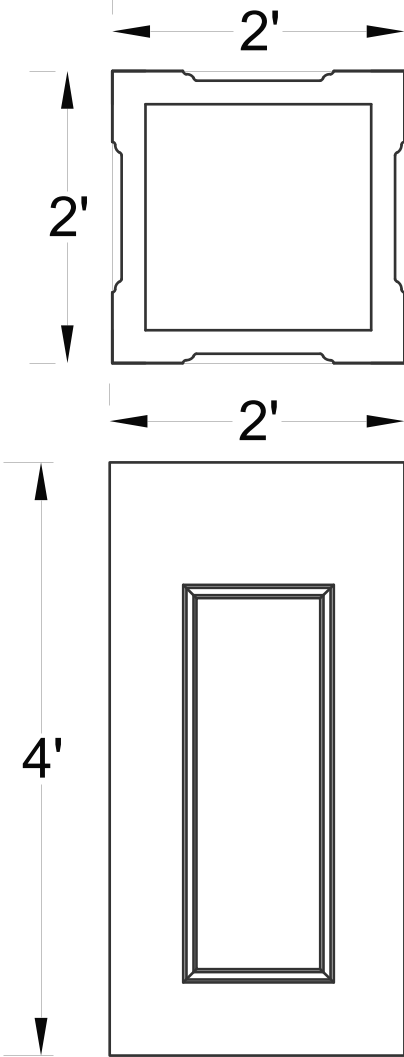
Pilasters – 1



P-08

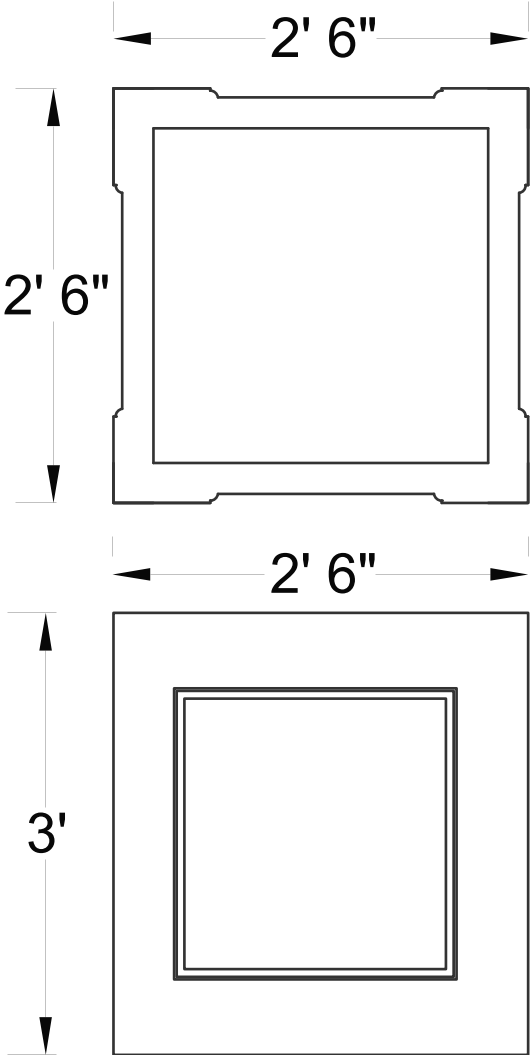


P-09

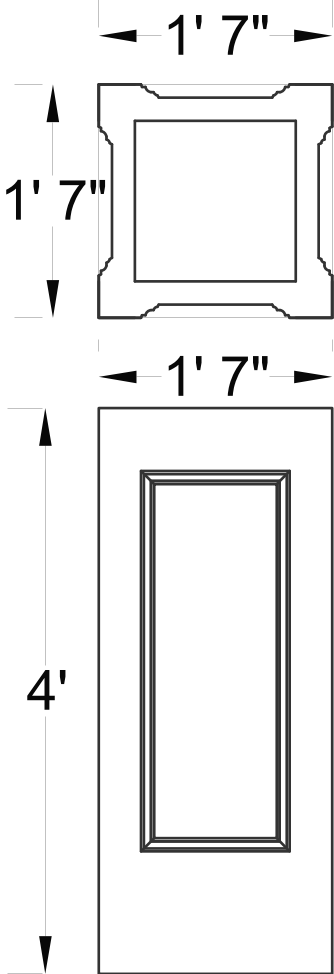


P-10

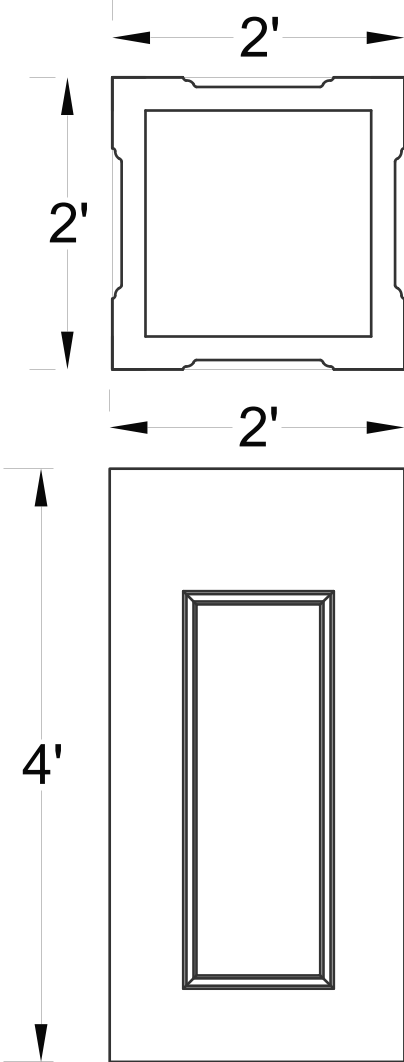
Pilasters – 3



P-08

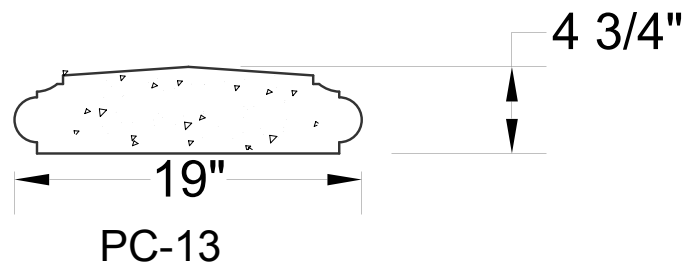
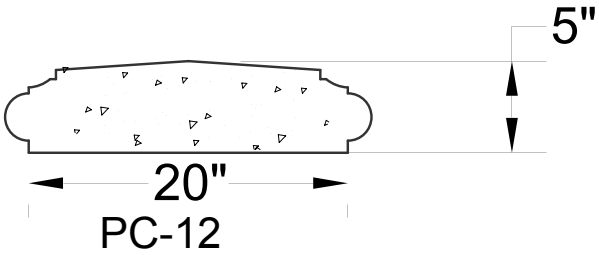
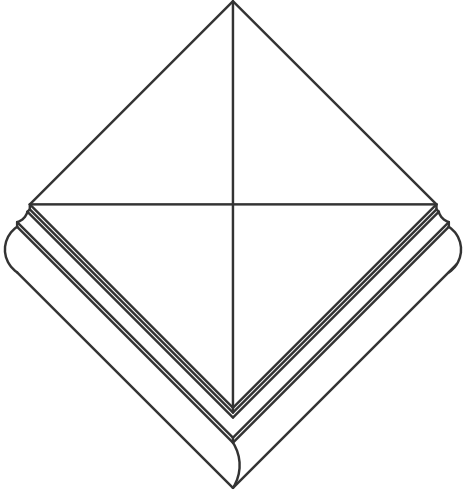
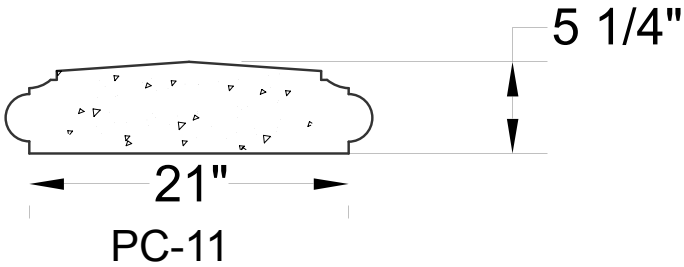
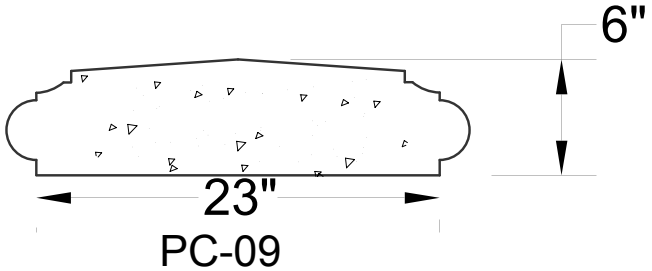
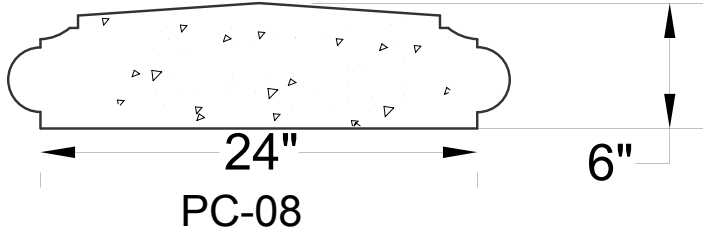


P-09

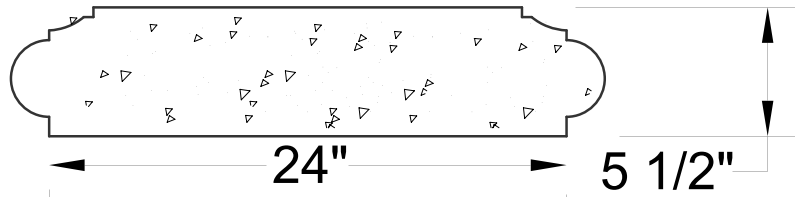


P-10

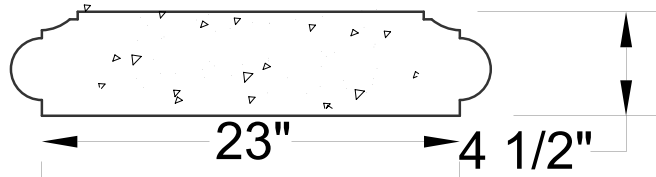
Post Caps – 1



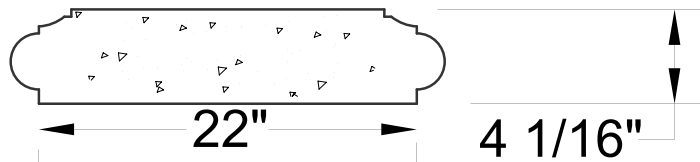
Post Caps – 1



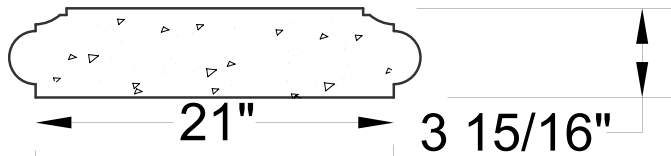
PC-14



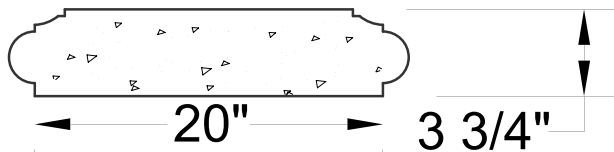
PC-15



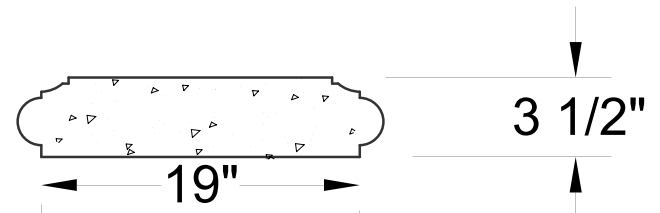
PC-16



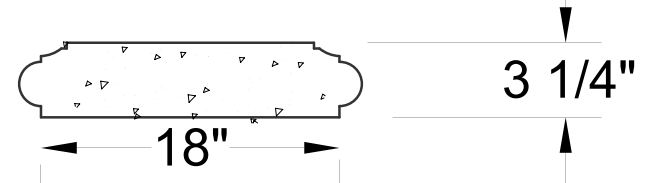
PC-17



PC-18

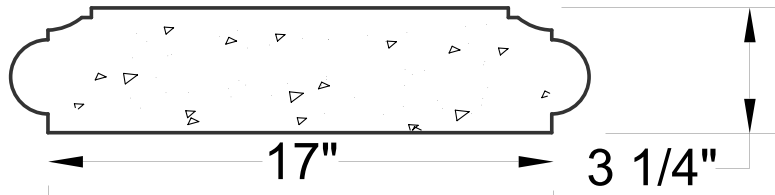


PC-19

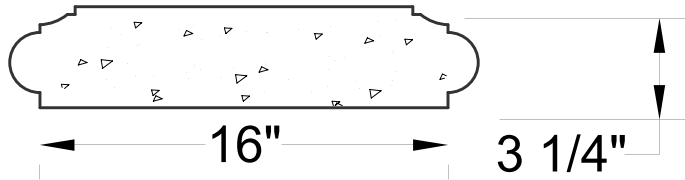


PC-20

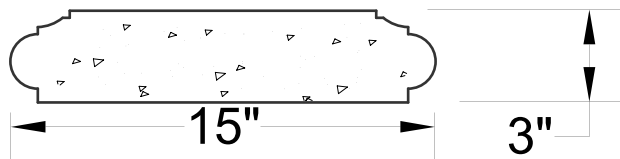
Post Caps – 2



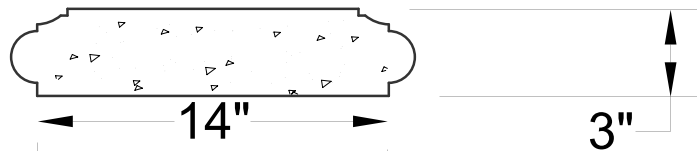
PC-21



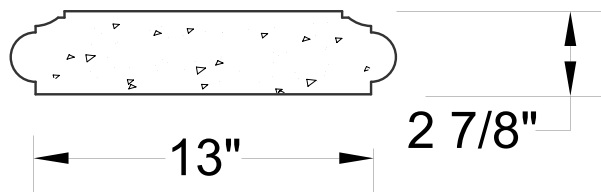
PC-22



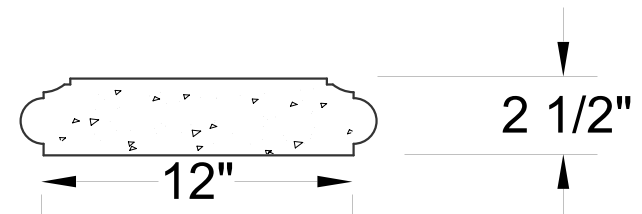
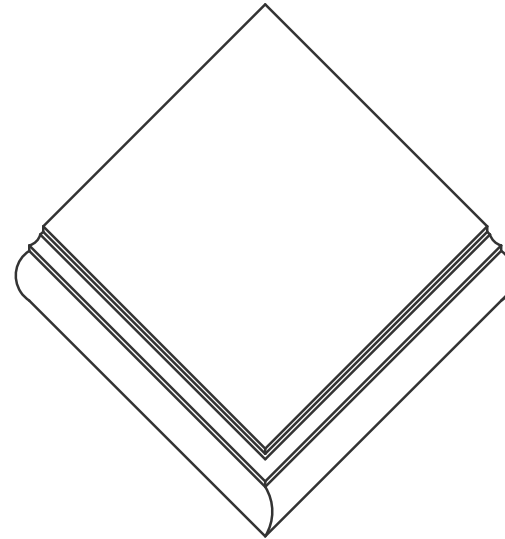
PC-23



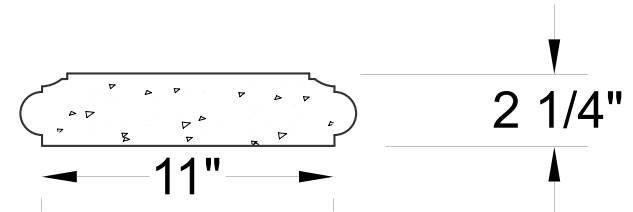
PC-24



PC-25

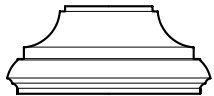
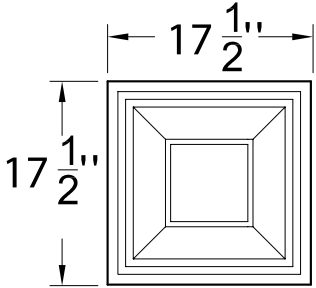


PC-26

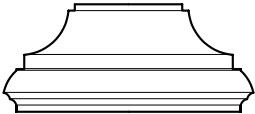
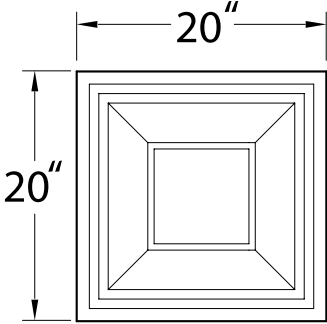


PC-27

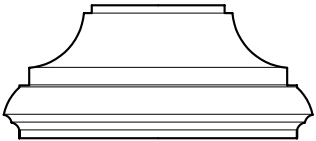
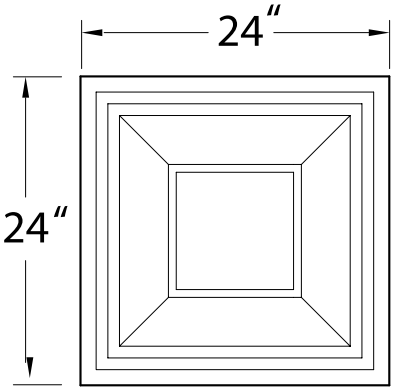
Square Caps – 1



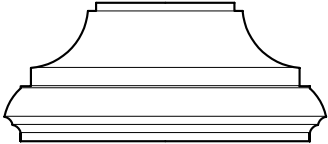
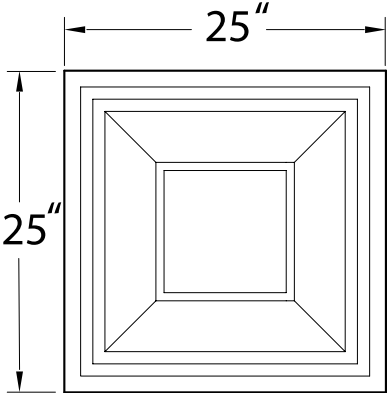
PC-28



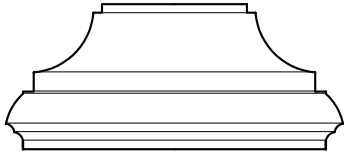
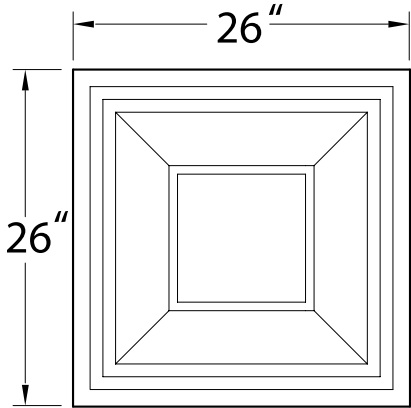
PC-29



PC-30

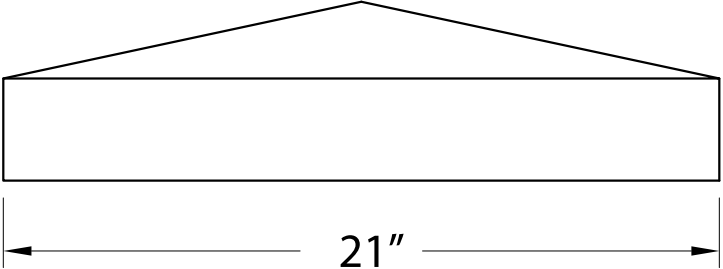


PC-31

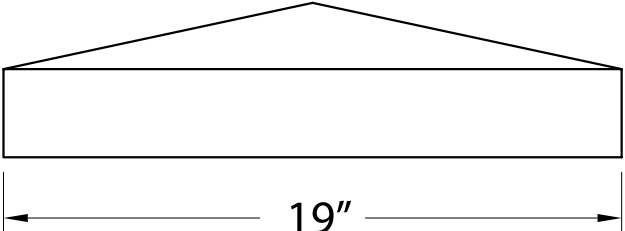
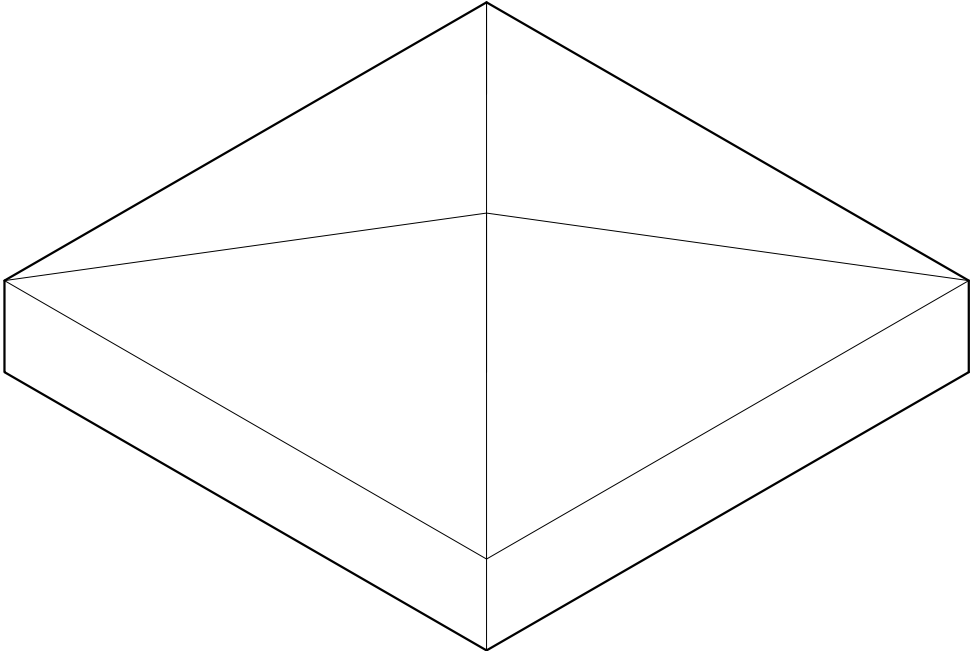


PC-32

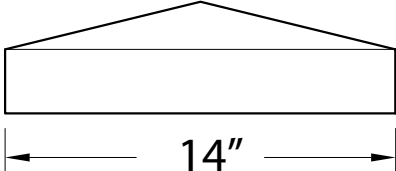
Square Caps – 1



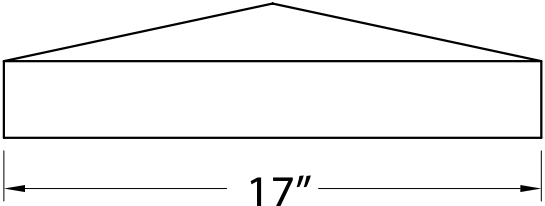
PC-33



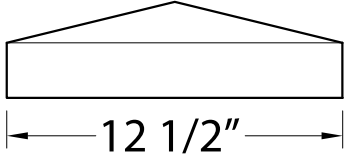
PC-34



PC-35



PC-34



PC-36